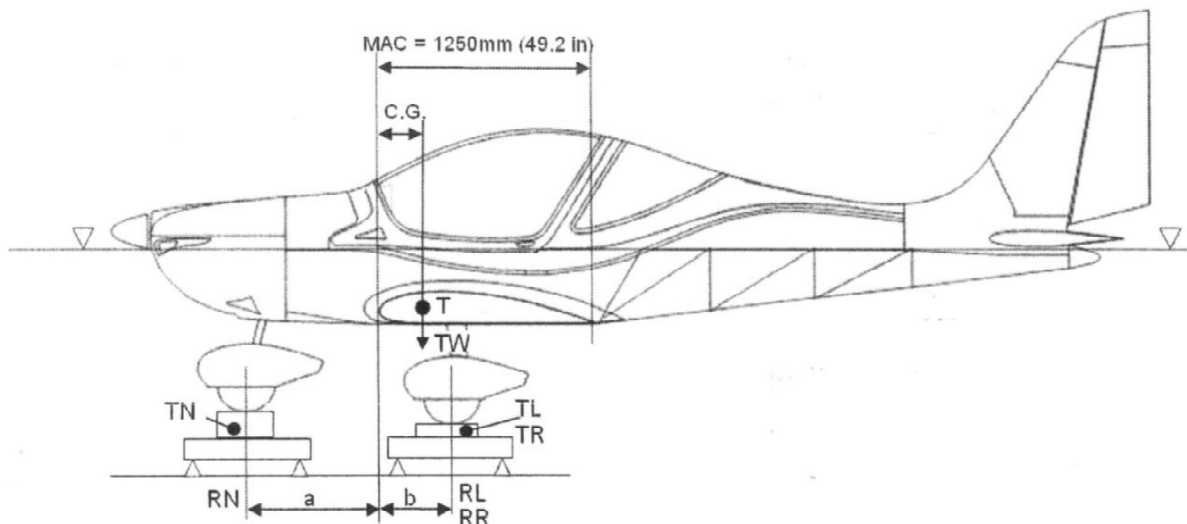




## WEIGHT AND BALANCE RECORD of SportStar RTC Aircraft

**Serial Number :** 20182102      **Registration :** F-HMON      **Order :** 640300

**Configuration :** Engine R 912 ULS2, Oil Thermostat, FG12200 Battery, SD20 Generator, Klasic 170/3/R Propeller, Airspeed Indicator, Altimeter, Magnetic Compass, Display GDU460 2 pcs + ADAHRS GSU25 2 pcs + EMS GEA24 + Magnetometr GMU22 + BAT 12V/3Ah + GPS Antenna GA26C 2pcs, FT-60 Fuel Flow, Stall Warning Unit T1b, GNC255A Transceiver, GTX328 Transponder, ACK A-30.5 Altitude Digitizer, ELT Kannad Integra, Position Strobe LED Orion, Landing Light LED 71141, Dual Brake System with Brake Pump on each Pedal, Parking Brake, Wheel Fairings, Glareshield, Sun Shade KOGER, Heating + Ventilation, Baggage Compartment Upholstery, Luggage Rack, Shoulder Belt Sleeves, Dual Electric Trim System (pitch), Integral Fuel Tanks 2x60 Lt., Electric Fuel Pump Pierburg, Unusable Quantity of Fuel (2ltr.), Fire extinguisher, First Aid kit, Emergency hammer with a belt cutter.



Weighing Point	Scale Reading Ri [lbs] or [kg]	Tare Ti [lbs] or [kg]	Net Weight NW <sub>i</sub> = Ri - Ti [lbs] or [kg]
Nose wheel	R <sub>nose</sub> = <b>79,4</b>	T <sub>nose</sub> = <b>0</b>	NW <sub>nose</sub> = <b>79,4</b>
Left wheel	R <sub>left</sub> = <b>141,4</b>	T <sub>left</sub> = <b>0</b>	NW <sub>left</sub> = <b>141,4</b>
Right wheel	R <sub>right</sub> = <b>136,0</b>	T <sub>right</sub> = <b>0</b>	NW <sub>right</sub> = <b>136,0</b>

Distance Supports	a = <b>776</b> mm		
	b = <b>564</b> mm		

<b>Total Weight [lbs] or [kg]</b>	
TW = NW <sub>nose</sub> + NW <sub>left</sub> + NW <sub>right</sub>	<b>TW = 356,8</b>

<b>C.G. Position from Datum (Leading edge) [in] or [mm]</b>	
$C.G. = \frac{(NW_L + NW_R) \times b - NW_N \times a}{TW}$	<b>C.G. = 265,8</b>

<b>C.G. Position [% MAC]</b>	
$\overline{C.G.} = \frac{C.G. [in] \text{ or } [mm]}{MAC [in] \text{ or } [mm]} \times 100$	<b>C.G. [% MAC] = 21,26</b>

Permitted C.G. range of empty Airplane (standard equipment) / 20 ± 2 % MAC

**Carried out by :** L. Zálešák      **Signature :**      **Date :** 20.02.2018